



CREATOR OF  
TIMELESS ORIGINALS®

# CABINET CONSTRUCTION



# TRADITIONAL CONSTRUCTION

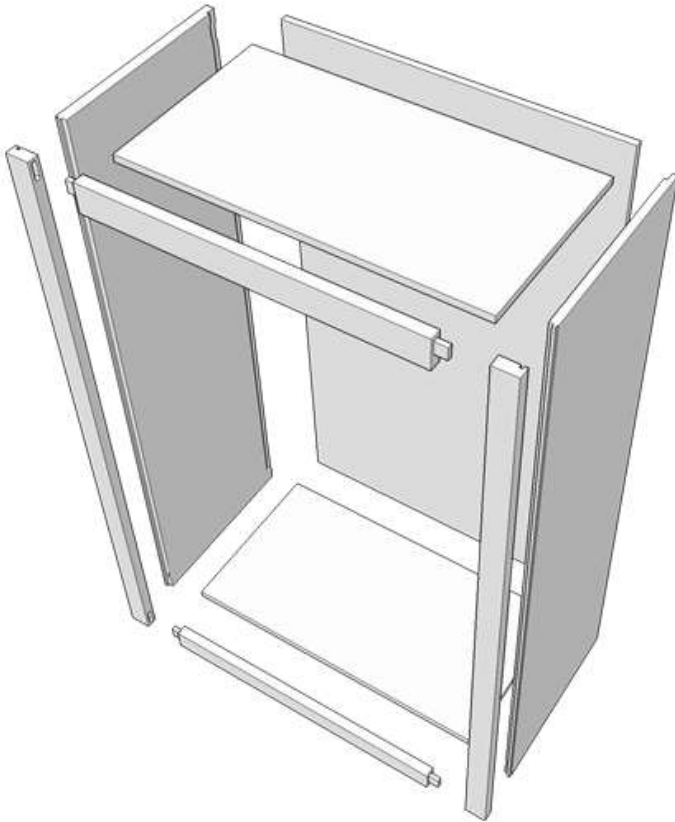


Consists of:

- $\frac{3}{4}$ " or 1" thick face frame
- $\frac{1}{2}$ " &  $\frac{3}{4}$ " thick casework
- $\frac{1}{2}$ " thick backs
- flush top and bottom



# TRADITIONAL CONSTRUCTION

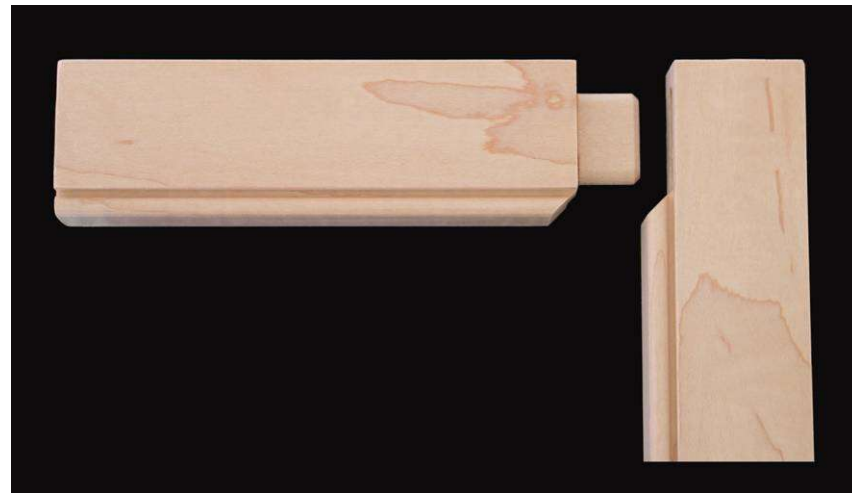


- Horizontals are machined ploughed into cabinet ends
- Ends are tongued into face frame

# FRONT FRAMES

- $\frac{3}{4}$ " and 1" thickness
- Mortise and Tenon joint
- Maximum glue surface
- Best appearance
- Seven profile options
- 2" H Top Rail on Tall & Wall cabinets

**For crown molding attachment**



# CLASSIC FRONT FRAME PROFILES



PLAIN



1/4" MOORESTOWN  
BEAD



3/8" BEAD



3/8" GF



1/4" CHAMFER



3/8" BEVEL &  
STEP



RUSKIN

# DOOR/DRAWER FITTING



- Inset doors are precisely beveled and hand-fit for each opening
- Doors are labeled for installation into openings
- Classic:  $\frac{3}{64}$ " tolerance insures tightest reveals in the industry when using a mortised hinge
- $\frac{3}{32}$ " tolerance when using a concealed hinge



# INSET HINGE CHOICES



- Four styles in 9 finishes
- Classic solid brass – true mortise
- Concealed inset\* – Blum 110° w/Blumotion (no premium)

\* Concealed inset hinge requires 3/32” reveals



# DOOR CATCHES



Classic: Magnetic catch available in:

- Oil Rubbed Bronze
- Nickel Matte

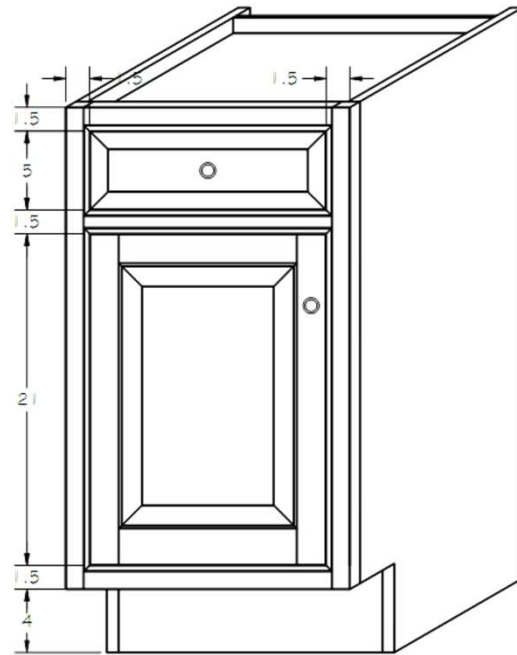


Classic: Earth magnet catch  
(at bottom only)



# FULL DUST TOP ON TRADITIONAL BASE CABINETS

- Cabinetry remains square and stable during shipping and installation
- Creates "Jamb Proof" drawer
- Keeps interiors debris free



# CONTEMPORARY CONSTRUCTION



- “Full Access”, “Frameless” or “European”
- ¾” thick cabinet components with full overlay doors
- No face frame
- ½” Backs



# CONTEMPORARY CASE OPTOPNS

Rule	Price	Description
Yes	-5	White Melamine - Particle Core
Yes	-5	Grey Melamine - Particle Core
Yes	-5	Maple Melamine - Particle Core
Yes		Wood Stain - Plywood Core
Yes		Wood Paint - Plywood Core

- White Melamine - Particle Core
- Maple Melamine - Particle Core
- Grey Melamine - Particle Core
- Wood veneer interior in 5 ply-plywood



# CONTEMPORARY CASEWORK



- Computerized boring patterns for insertion of 3/8" hardwood dowels
- Controlled glue application for full adhesion
- 1/2" Back



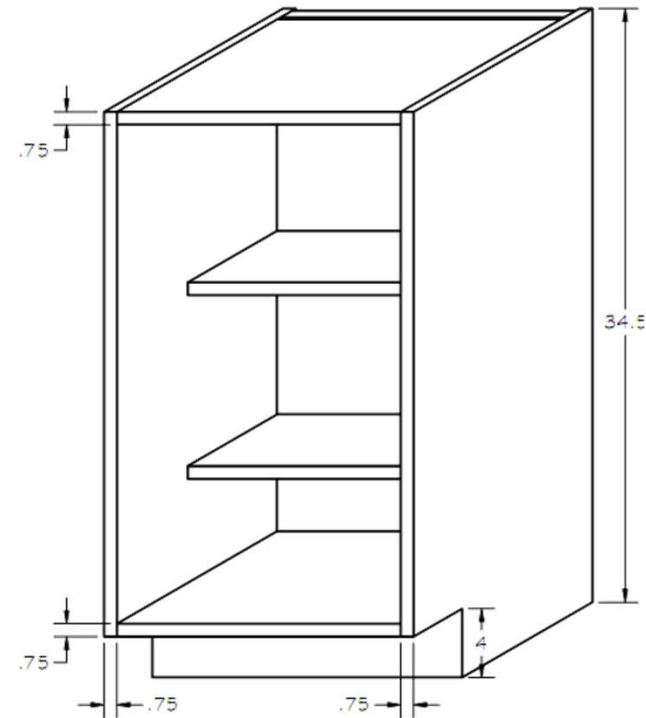
# CASEWORK EDGE TREATMENT

- Edge banding is applied by specialized machinery to provide a smooth, chip free edge with no visible glue line.
- Melamine interior cabinetry have a wood veneer edge banding finished to match the doors.
- Wood veneer interior cabinetry also features a wood veneer edge banding finished to match the doors.



# FULL DUST TOP ON CONTEMPORARY BASE CABINETS

- Cabinetry remains square and stable during shipping and installation
- Creates “Jamb Proof” drawers
- Keeps cabinet drawers and interiors clean and free of debris until countertops are installed



# CONTEMPORARY HINGE



- 110° BLUM Inserta hinge on  $\frac{3}{4}$ " thick doors.
- BLUMOTION integrated into hinge cup
- Soft close function can be deactivated
- 95° BLUM Inserta hinge on 1" thick doors.



# CLASSIC DRAWER BOXES

- Patented Dovetail
- 5/8" thick solid wood front, sides, and back
- Dovetail Side features our patented profile.
- 1/2" thick MDF bottom
- Top drawer boxes feature RUTT logo medallion



**Available in 5 species at no additional charge:** Maple, Cherry, Mahogany, Walnut, White Oak





# ACCESSORIES



- Drawer Inserts
- Pull Out Columns
- Pull Out Trash
- Roll Outs
- Tip-on option

Accessories match drawer box wood species



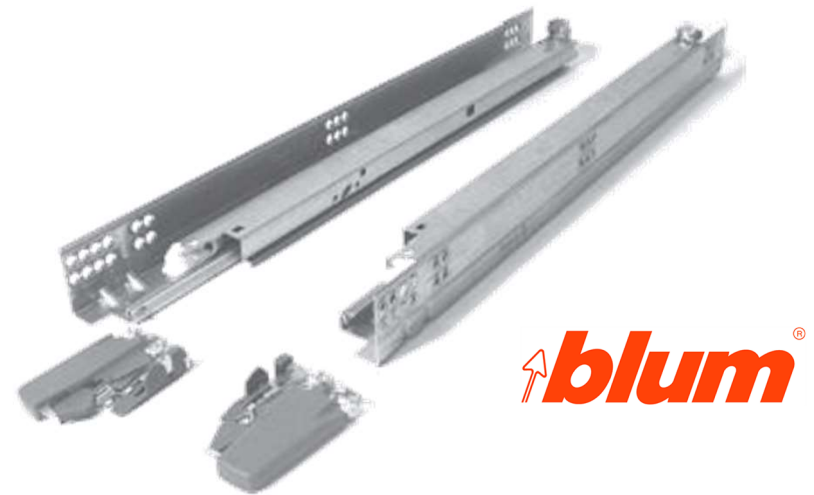
# INTERIOR ROLL OUT SHELVES

- Construction/species will match drawer box selection at no additional charge
- Easily adjustable rollout shelf with our pilaster system



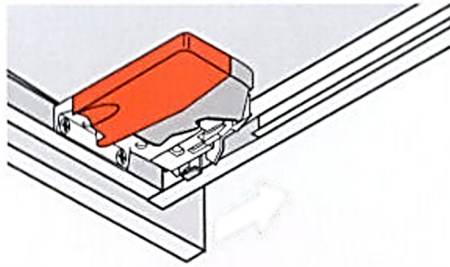
# DRAWER SLIDES

- Standard full extension TANDEM with Blumotion
- Drawers & interior roll outs
- Manufacturer Lifetime Warranty



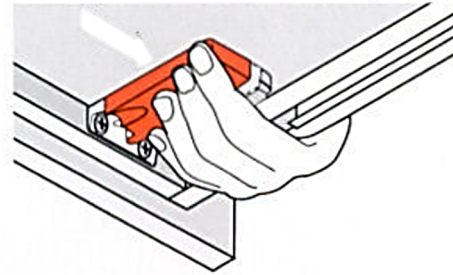
# DRAWER SLIDE ADJUSTMENTS

## Installation



Place drawer on runners and close.  
Locking devices automatically connect  
to runners.

## Removal

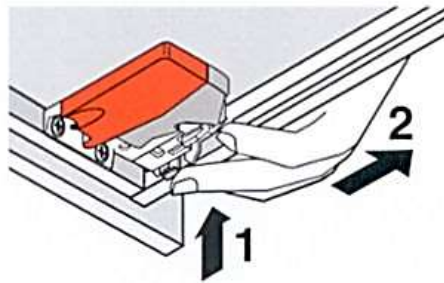


1. Squeeze orange handles on  
locking devices.  
2. Pull drawer out and up.

# DRAWER SLIDE ADJUSTMENTS

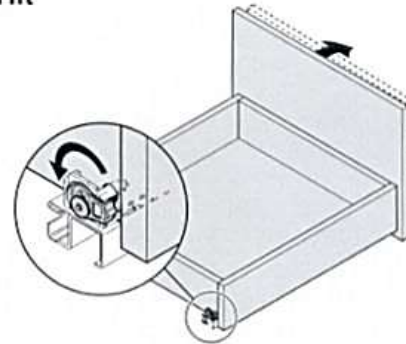
## Adjustments

### Height



1. Press up on adjustment tab.
  2. Push towards back of drawer.
- Max. 3mm (1/8") rise of drawer.

### Tilt



- Rotate the tilt adjustment dial on the rear of each profile to tilt the top of the drawer front forward.

# LEGRABOX METAL DRAWER SYSTEM



- Stainless Steel - no finger print
- Orion Grey
- 1/2" thick profiled sides



# LEGRABOX METAL DRAWER SYSTEM

- Tip-on option
- Interior roll outs
- Square inside corners
- Allows majority wooden interior accessories
- Blum AMBIA-LINE interior accessories

